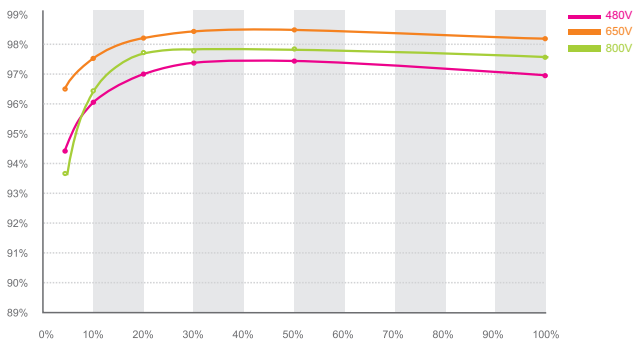


## Leading - edge Technology

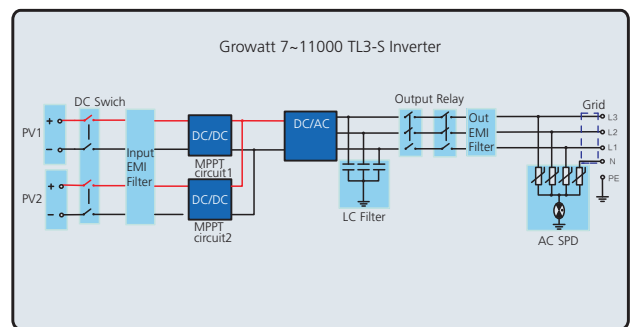
- ▶ Max. DC Voltage up to 1000V
- ▶ Max efficiency 98.4%
- ▶ Compact design
- ▶ Multi MPP controller
- ▶ Natural cooling, fanless design
- ▶ High power density, offer lighter and easy installation
- ▶ Flexible communication connection, support RF, WiFi, Ethernet
- ▶ Comprehensive Growatt warranty program



Growatt 11000TL3-S efficiency



Growatt 7-11kTL3-S topology



## Datasheet

### Growatt 7000TL3-S

### Growatt 8000TL3-S

### Growatt 9000TL3-S

### Growatt 10000TL3-S

### Growatt 11000TL3-S

#### Input data

Max. recommended PV power (for module STC)	8400W	9600W	10800W	12000W	13200W
Max. DC voltage	1000V	1000V	1000V	1000V	1000V
Start Voltage	160V	160V	160V	160V	160V
PV voltage range	160V-1000V	160V-1000V	160V-1000V	160V-1000V	160V-1000V
Nominal voltage	600V	600V	600V	600V	600V
MPP voltage range at Full Power	320V-850V	360V-850V	400V-850V	450V-850V	450V-850V
Max. input current	11.5A/11.5A	11.5A/11.5A	11.5A/11.5A	13A/13A	13A/13A
Number of independent MPP trackers/strings per MPP tracker	2/1	2/1	2/1	2/1	2/1

#### Output (AC)

Rated AC output power	7kW	8kW	9kW	10kW	11kW
Max AC apparent power	7.7kVA	8.8kVA	9.9kVA	11kVA	12.1kVA
Max. output current	11.7A	13.3A	15A	16.7A	18.3A
AC nominal voltage; range	230V/400V 184~275V	230V/400V 184~275V	230V/400V 184~275V	230V/400V 184~275V	230V/400V 184~275V
AC grid frequency	50/60Hz	50/60Hz	50/60Hz	50/60Hz	50/60Hz
Power factor	0.8leading - 0.8lagging	0.8leading - 0.8lagging	0.8leading - 0.8lagging	0.8leading - 0.8lagging	0.8leading - 0.8lagging
THDi	<3%	<3%	<3%	<3%	<3%
AC grid connection type	3W+N+PE	3W+N+PE	3W+N+PE	3W+N+PE	3W+N+PE

#### Efficiency

Max. efficiency	98.3%	98.3%	98.4%	98.4%	98.4%
Euro - eta	97.5%	97.8%	98%	98%	98%
MPPT efficiency	99.5%	99.5%	99.5%	99.5%	99.5%

#### Protection Devices

DC reverse polarity protection	yes	yes	yes	yes	yes
DC switch	yes	yes	yes	yes	yes
Output over current protection	yes	yes	yes	yes	yes
Output AC overvoltage Protection - Varistor	yes	yes	yes	yes	yes
Ground fault monitoring	yes	yes	yes	yes	yes
Grid monitoring	yes	yes	yes	yes	yes
Integrated all-pole sensitive leakage current monitoring unit	yes	yes	yes	yes	yes

#### General Data

Dimensions(W/H/D)	480/448/200 mm	480/448/200 mm	480/448/200 mm	480/448/200 mm	480/448/200 mm
Weight	21.6kg	21.6kg	21.6kg	21.6kg	21.6kg
Operating temperature range	-25 °C ... +60 °C	-25 °C ... +60 °C	-25 °C ... +60 °C	-25 °C ... +60 °C	-25 °C ... +60 °C
Noise emission (typical)	≤35 dB(A)	≤35 dB(A)	≤35 dB(A)	≤35 dB(A)	≤35 dB(A)
Altitude	3000m	3000m	3000m	3000m	3000m
Self-consumption night	< 0.5W	< 0.5W	< 0.5W	< 0.5W	< 0.5W
Topology	Transformerless	Transformerless	Transformerless	Transformerless	Transformerless
Cooling concept	Natural	Natural	Natural	Natural	Natural
Environmental Protection Rating	IP65	IP65	IP65	IP65	IP65
Relative humidity	0~100%	0~100%	0~100%	0~100%	0~100%

#### Features

DC connection	H4/MC4(opt)	H4/MC4(opt)	H4/MC4(opt)	H4/MC4(opt)	H4/MC4(opt)
AC connection	Screw terminal	Screw terminal	Screw terminal	Screw terminal	Screw terminal
Display	LCD	LCD	LCD	LCD	LCD
Interfaces:RS232/RS485/RF/Ethernet/Wi-Fi	yes/yes/opt/opt/opt	yes/yes/opt/opt/opt	yes/yes/opt/opt/opt	yes/yes/opt/opt/opt	yes/yes/opt/opt/opt
Warranty:5 years/10 years	yes/opt	yes/opt	yes/opt	yes/opt	yes/opt

#### Certificates and Approvals

CE, IEC 62109-1/2, VDE 0126-1-1, Greece, VFR 2014, VDE-AR-N4105, G83, EN50438, CEI 0-21, AS4777, IEC 61727, IEC 62116, CQC